

Technical Data Information

Square Soft Close Toilet Seat

Product Code: SCTS002

Information: Square Soft Close Toilet Seat

Colour: White

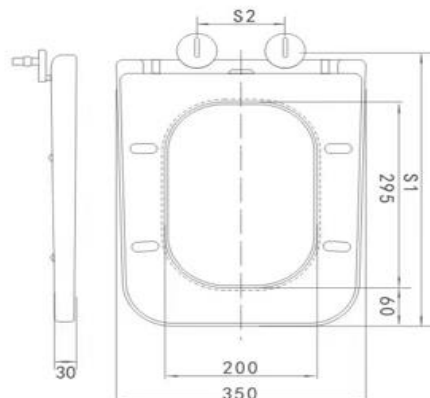
Soft close action on seat and lid.

Hinge Centres: 80min – 240max

2 Year Guarantee against manufacturing faults



Material	DF	
Size	435x350x30mm	
Hinge type	Normal/Top fixing	
Adjustable distance		
Hinge	S1	S2
QQ(big)	410–490	80–240
QQ(small)	420–470	120–210



All Dimensions are in millimetres. The information contained on this page was correct at date of issue. Fitting dimensions are provided as a guide only. Some variation may occur due to manufacturing tolerances. We pursue a policy of continuing improvement in design and performance of our products and so reserve the right to change specifications without prior notice.