

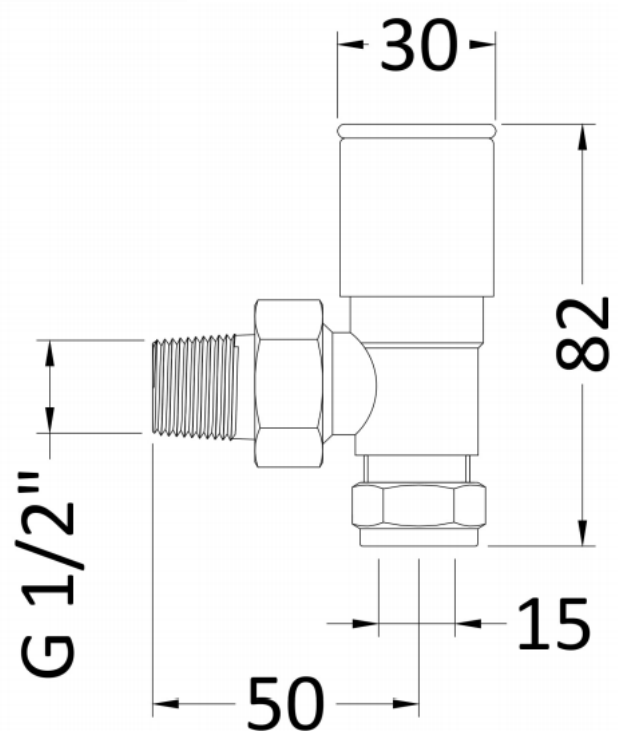
## Technical Data Information

**Product Code:** MGANG

**Description:** Gunmetal Angled Radiator valves

- All tapings are 1/2" BSP
- Number Of Heat Settings: 1
- Assembly Required: No
- Commercial Use: No
- Projection: 60MM
- Installation Required: Yes

**Overall Dimensions:** H: 82 x W: 26 x D: 65



All Dimensions are in millimetres. The information contained on this page was correct at date of issue. Fitting dimensions are provided as a guide only. Some variation may occur due to manufacturing tolerances. We pursue a policy of continuing improvement in design and performance of our products and so reserve the right to change specifications without prior notice.