

TECHNICAL DATA SHEET

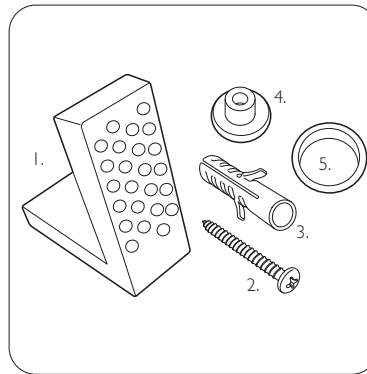
Micra Evo Comfort Open Back CC WC

TAVISTOCK

NO.	Description	Product Code	Fixings included	Gross Weight
1	Close Coupled Cistern	C950S	YES	14KG
2	Soft Close Slim Toilet Seat	DC14037	YES	2KG
3	Comfort Height Open Back CC WC	PC950S	YES	32KG



Floor Fixings

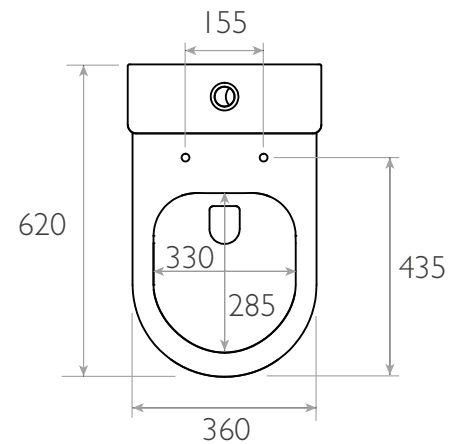
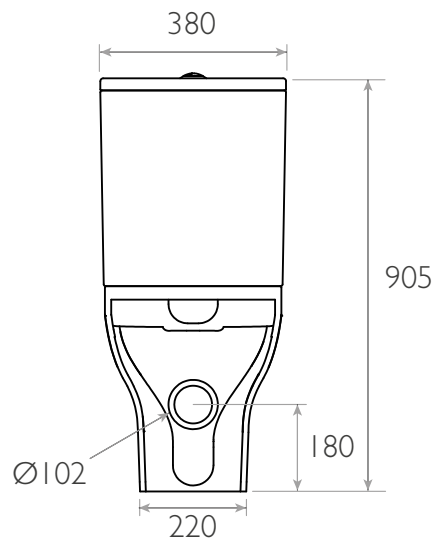
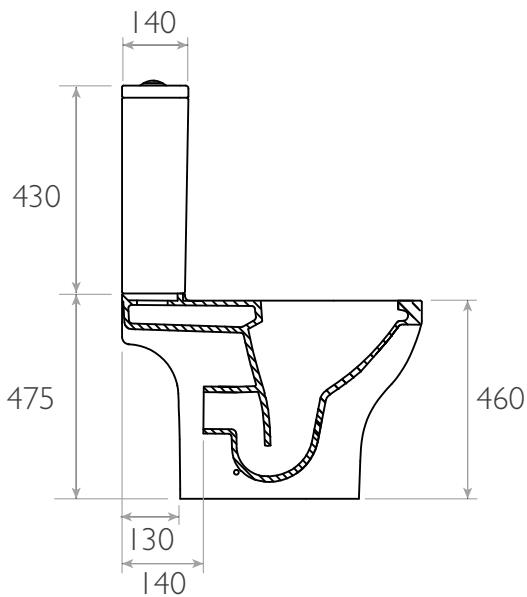


1. 2x Nylon Floor Bracket
2. 4x Stainless Steel Screws
3. 2x Nylon Screw Plugs
4. 2x Nylon Screw Collars
5. 2x Nylon Collar Caps (Metalic Finish)

Spare Code: SPI4211

DIMENSIONS

DIAGRAMS NOT TO SCALE | ALL DIMENSIONS IN MM TOLERANCE OF ± 5MM
ALL PRODUCTS CONFORM TO BRITISH STANDARDS



*Dimensions are subject to change, customers are advised to measure actual product before commencing installation.
**Fixing point dimensions are for guidance only. The positions of fixings must be checked when product is received.

FAQs

Q - Where is the inlet valve?

A - Bottom inlet, back right or left of pan. WC is supplied with a blanking plug for the hole that is not used.

Q - What is the flush volume?

A - 6/4L

Q - Are there any other compatible seats?

A - Yes, a wrap over seat is available using product code TS950S

Q - Rim Type?

A - Rimless

Q - Are there replacement buttons?

A - Yes, compatible with black (TR9027) / brass (TR9039)

Key Dimensions Descriptions	Key Dimensions (mm)
Front to Back Footprint	370mm/500mm from wall
Left to Right Footprint	220mm
Bowl Front to Back	330mm
Bowl Left to Right	285mm
Pan Height (+Cistern)	460mm (905mm)
Pan Overall Front to Back	620mm
Centre Waste Outlet to Floor	180mm + 15mm - 10mm
Width of Void	200mm
Is there a Ceramic Brace Bar	No
Distance from Spigot to back of Pan	140mm