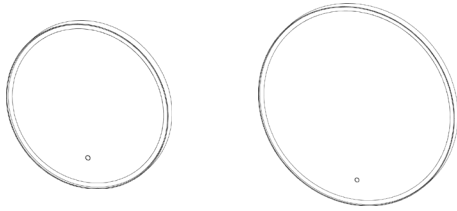


Technical Data Sheet

AURORA



Box Contents:

Aurora Mirror | 2x wall plugs | 2x screws | Instructions booklet

Materials

Frame Material: Extruded Aluminium

Glass: 5mm PVC Backed

| FAQ's: | Units | AUM60C | AUM80C |
|--|-------|---|-----------|
| Can the mirror be hung landscape? | - | No | |
| What is the thickness of the mirror glass? | mm | 5 | |
| Is the mirror IP44 rated? | - | Yes – Suitable for use in bathroom zone 2 | |
| What size fuse should I use? | - | Seek the advice of an electrician | |
| What is the total power consumption? | W | 39.53 | 52.84 |
| Does the mirror have an energy rating? | - | Yes – It has an energy rating of: F | |
| What is the colour of the light and the Kelvin rating? | K | 3000 - 6000 | |
| What is the Lumen of the LEDs?* | Lms | 2360 | 3156 |
| What is the wattage of the lights? | W | 33.53 | 44.84 |
| Where is the IR sensor/rocker switch located? | - | Front bottom middle | |
| Can the LED lighting be replaced? | - | No** | |
| Can the IR sensor be replaced? | - | Yes | |
| What is the output of the demister pad? | W | 6 | 8 |
| What are the dimensions of the demister pad? (L x W) | mm | 200 x 200 | 200 x 350 |
| How do I turn on the demister pad? | - | The demister pad will turn on when the LEDs are turned on. | |
| Are illuminated mirrors supplied with mains cable? | - | All illuminated mirrors are supplied with a removeable 500mm mains cable. | |

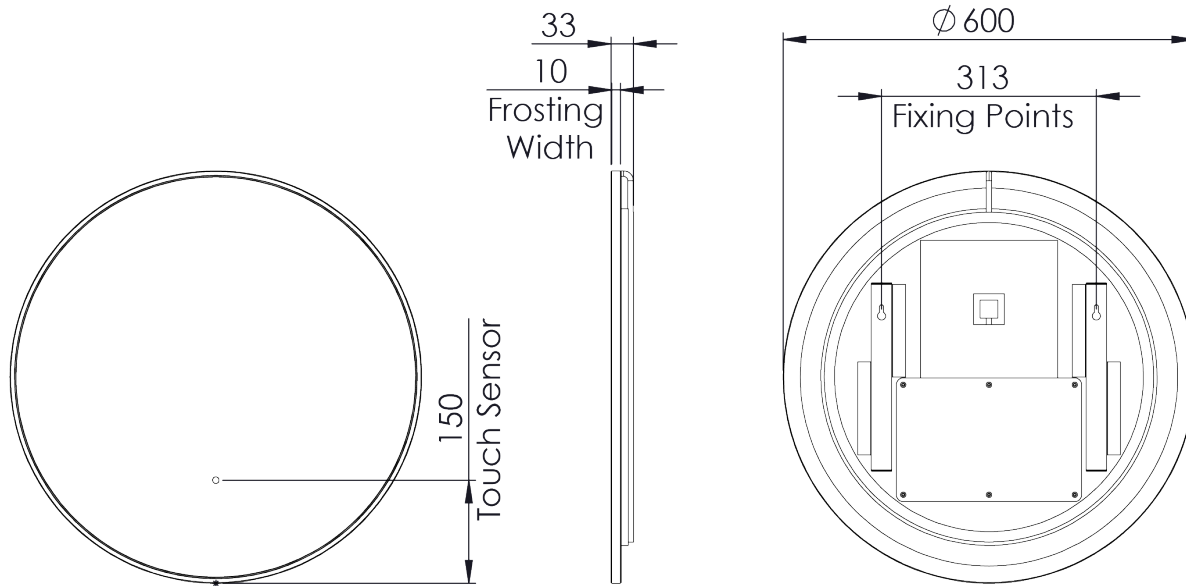
Dimensions are subject to change; customers are advised to measure actual product before commencing installation.

Fixing point dimensions are for guidance only/the positions of wall fixing must be checked when product is received.

*The Lumen represents the output of the LED. This may vary depending on the diffuser material i.e., glass or acrylic.

**The LEDs are not replaceable to maintain the integrity of the product's resistance to moisture ingress.

AUM60C



AUM80C

