

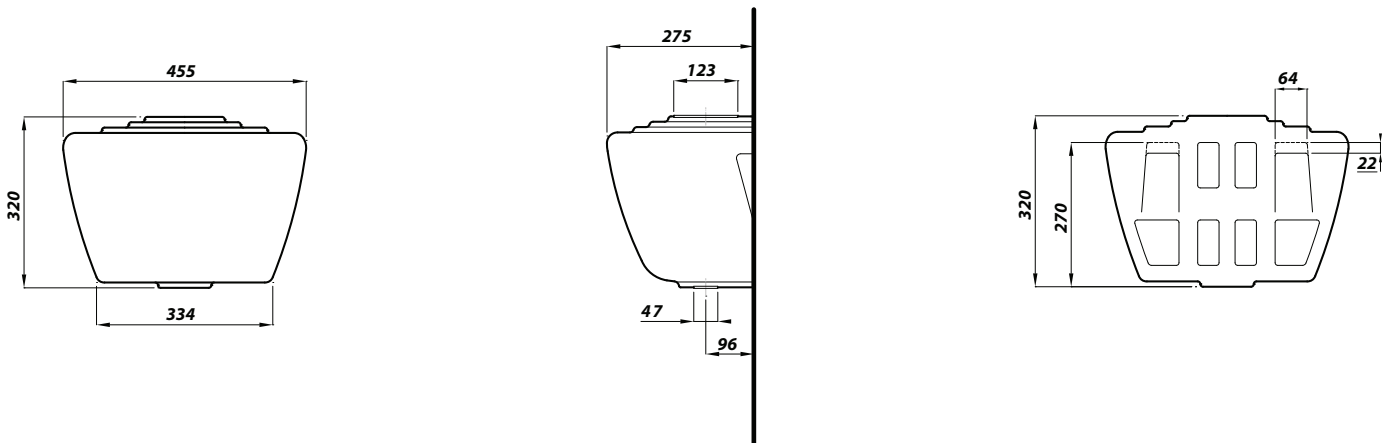
KOTA URINAL CISTERN EXPOSED 13 L PLUS AUTOSYPHON



Product Code	CKOTURIC13
Weight (Kg)	14.2
Material	Vitreous china
Flushing volume (ltr)	13 litres
Standard	BS5520, BS3402, EN13407-CL2-III-4.5B, WRAS approved
Flushing mechanism	Autosyphon

Key features:

- Includes an autosyphon
- Suited for commercial installations
- UKCA Compliant
- Classical design



All dimensions are approximate and subject to normal variation. Although every effort is made not to change the above product specification, we reserve the right to do so without prior notification if necessary. *Against manufacturers defects. Full information on guarantees available upon request.