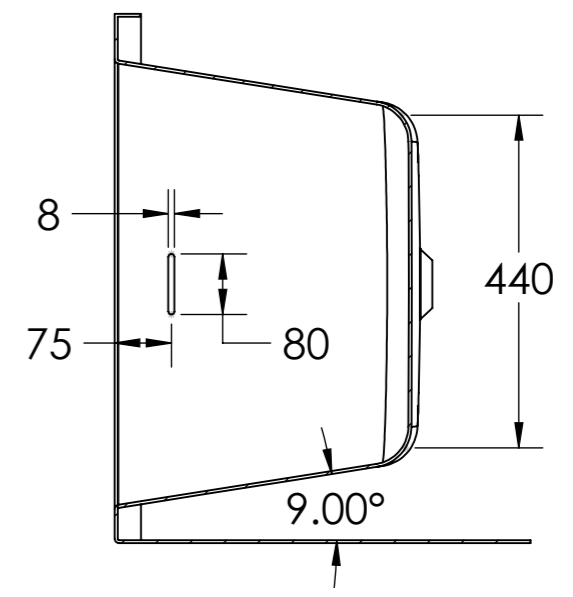
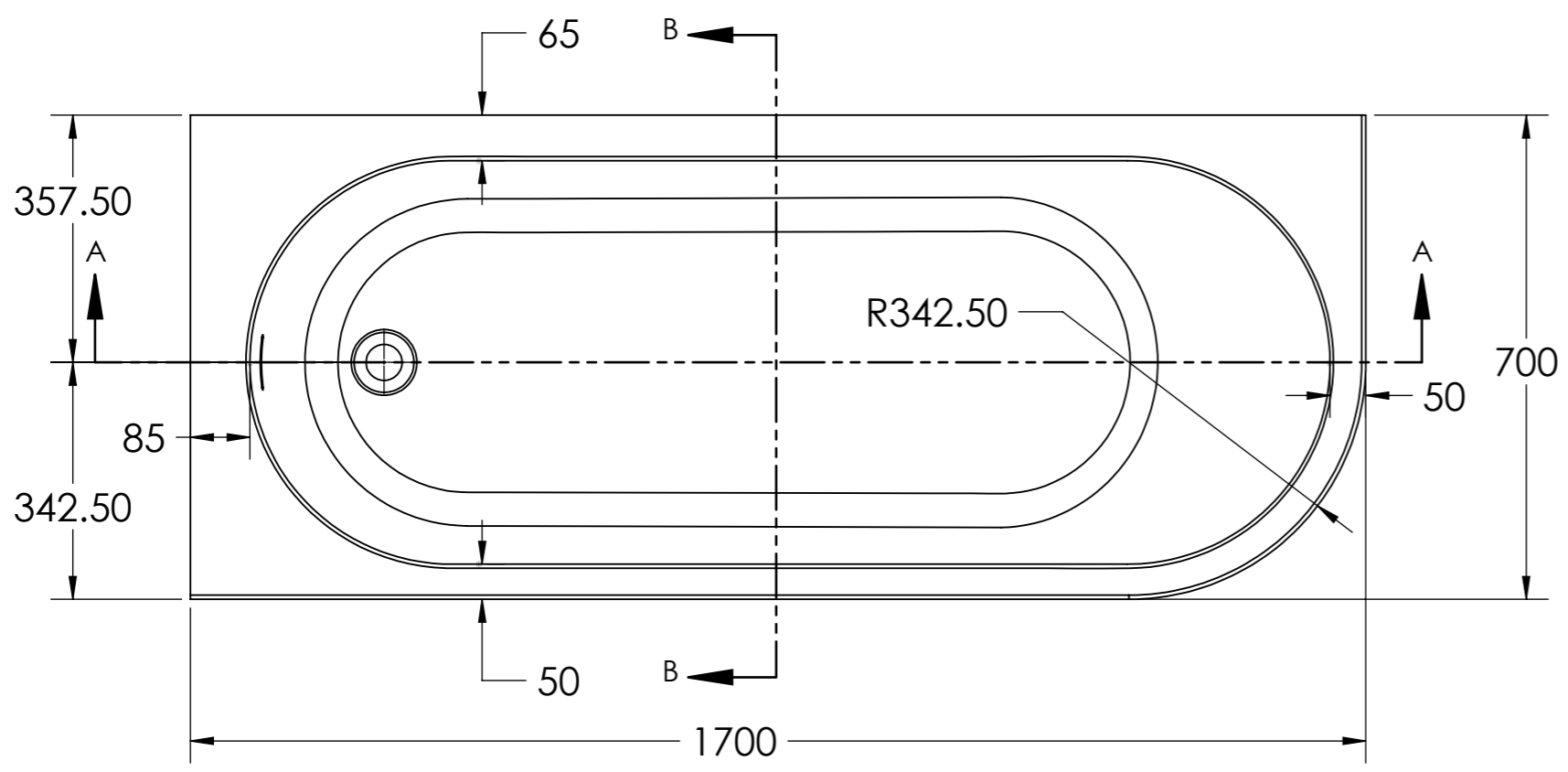
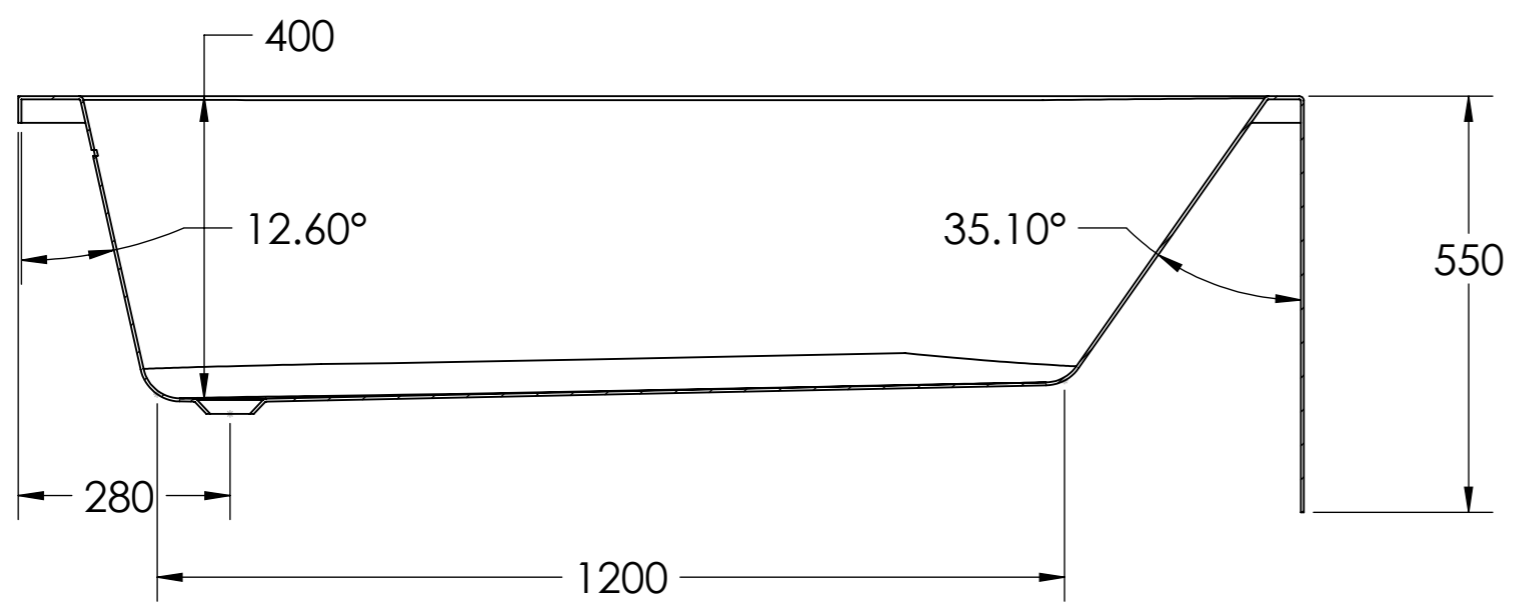


8 7 6 5 4 3 2 1

F  
E  
D  
C  
B  
A



SECTION B-B  
SCALE 1 : 10



SECTION A-A  
SCALE 1 : 10

NAME	Date	DATE :	Mold No.	Product :
DRAWN by	06/04/2021	10/03/2021		Tee Bath Left 1700X700X550
CHK'd by 1	10/03/2021	Type:	Client :	
CHK'd by 2				
Notes :			TD Code :	Material: Acrylic
R.T. LARGE ESTABLISHED 1969				Dim. in : MM
Tolerances : +/- 5				Sheet Size : A3

8 7 6 5 4 3 2 1