

TECHNICAL DATA SHEET

Aerial Open Back CC Pan 620mm - PC650S

TAVISTOCK

NO.	Description	Product Code	Fixings included	Gross Weight	Net Weight
1	Aerial Open Back CC Pan 620mm	PC650S	YES	Weight (kg)	Weight (kg)
2	Aerial CC Cistern 6/4L	C650S	YES	Weight (kg)	Weight (kg)
3	Aerial Soft Close Toilet Seat	TS650S	YES	2.8kg	2.5kg



Spares Codes

Cistern Fixing Pack - SP18147

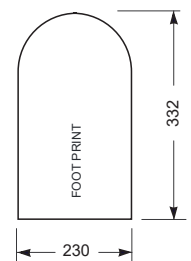
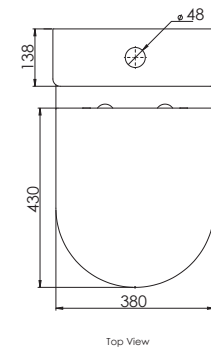
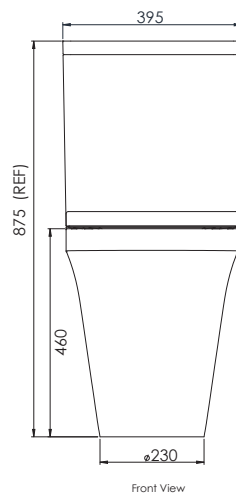
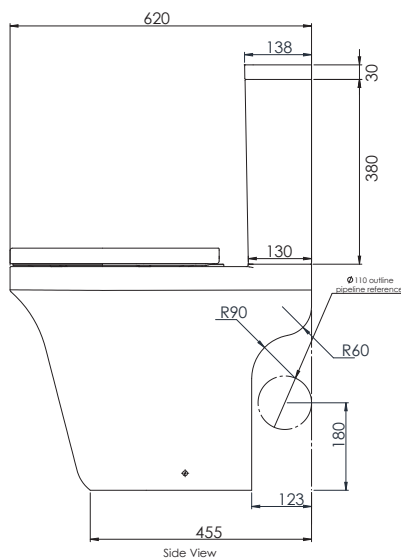
Seat Fixing Pack - SP18148

Seat Fixing Bolts 75mm/Butterfly Clip x2 - SP18153

Seat Buffer Set - SP17583

DIMENSIONS - PRODUCT CODE

DIAGRAMS NOT TO SCALE | ALL DIMENSIONS IN MM | TOLERANCE OF ± 5MM



*Dimensions are subject to change, customers are advised to measure actual product before commencing installation.

**Fixing point dimensions are for guidance only/the positions of wall fixing must be checked when product is received.

FAQs

Q - Where is the inlet valve?
A - Bottom inlet, back right of the pan.

Q - What is the flush volume?
A - 6/4L

Q - Can this pan be used with a side connection outlet pipe?
A - Yes.

Q - What cistern fittings are included?
A - Geberit - Refer to cistern fitting tech data sheet.

Q - Are there any other compatible seats?
A - No.

Key Dimensions Descriptions	Key Dimensions (mm)
Front to Back Footprint	332mm
Left to Right Footprint	230mm
Bowl Front to Back	330mm
Bowl Left to Right	280mm
Pan Height	460mm
Pan Overall Front to Back	620mm
Centre Waste Outlet to Floor	180mm
Width of Void	Input Dimension
Is there a Ceramic Brace Bar	No

TECHNICAL DATA SHEET

Aerial Fully Enc CC Pan 620mm - PCF650S

TAVISTOCK

NO.	Description	Product Code	Fixings included	Gross Weight	Net Weight
1	Aerial Fully Enc CC Pan 620mm	PCF650S	YES	Weight (kg)	Weight (kg)
2	Aerial CC Cistern 6/4L	C650S	YES	Weight (kg)	Weight (kg)
3	Aerial Soft Close Toilet Seat	TS650S	YES	2.8kg	2.5kg



Spares Codes

Cistern Fixing Pack - SP18147

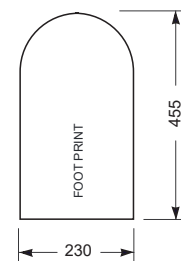
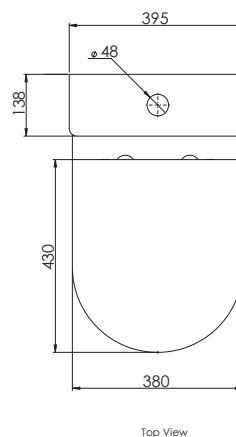
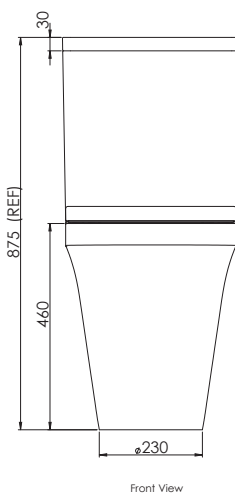
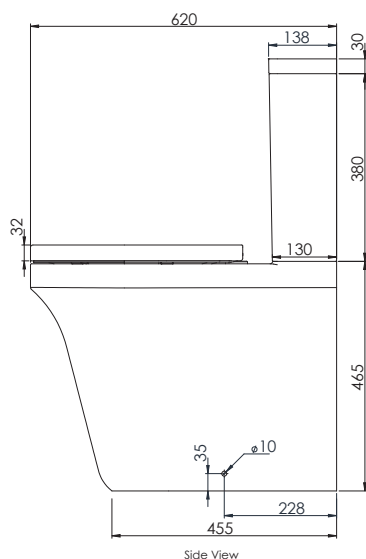
Seat Fixing Pack - SP18148

Seat Fixing Bolts 75mm/Butterfly Clip x2 - SP18153

Seat Buffer Set - SP17583

DIMENSIONS - PRODUCT CODE

DIAGRAMS NOT TO SCALE | ALL DIMENSIONS IN MM | TOLERANCE OF ± 5MM



*Dimensions are subject to change, customers are advised to measure actual product before commencing installation.

**Fixing point dimensions are for guidance only/the positions of wall fixing must be checked when product is received.

FAQs

Q - Where is the inlet valve?
A - Bottom inlet, back right of the pan.

Q - What is the flush volume?
A - 6/4L

Q - Can this pan be used with a side connection outlet pipe?
A - No

Q - What cistern fittings are included?
A - Geberit - Refer to cistern fitting tech data sheet.

Q - Are there any other compatible seats?
A - No.

Key Dimensions Descriptions	Key Dimensions (mm)
Front to Back Footprint	455mm
Left to Right Footprint	230mm
Bowl Front to Back	330mm
Bowl Left to Right	282mm
Pan Height	465mm
Pan Overall Front to Back	620mm
Centre Waste Outlet to Floor	180mm
Width of Void	Input Dimension
Is there a Ceramic Brace Bar	No

TECHNICAL DATA SHEET

Aerial BTW WC Pan 505mm - BTWC650S

TAVISTOCK

NO.	Description	Product Code	Fixings included	Gross Weight	Net Weight
1	Aerial BTW WC Pan 505mm	BTWC650S	YES	Weight (kg)	Weight (kg)
2	Aerial Soft Close Toilet Seat	TS650S	YES	2.8kg	2.5kg



Spares Codes

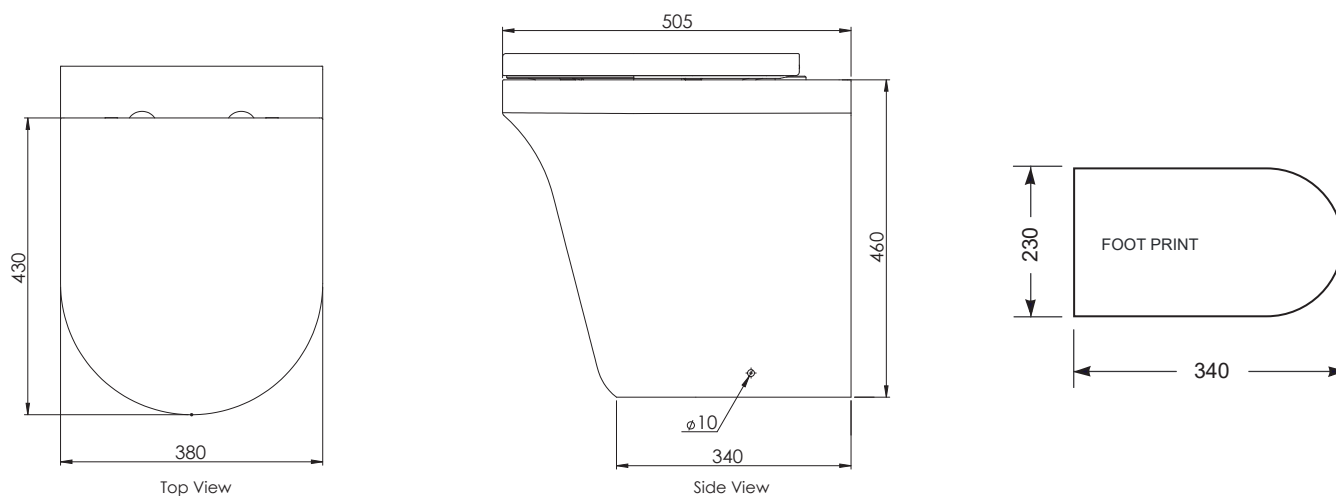
Seat Fixing Pack - SP18148

Seat Fixing Bolts 75mm/Butterfly Clip x2 - SP18153

Seat Buffer Set - SP17583

DIMENSIONS - PRODUCT CODE

DIAGRAMS NOT TO SCALE | ALL DIMENSIONS IN MM | TOLERANCE OF ± 5MM



*Dimensions are subject to change, customers are advised to measure actual product before commencing installation.

**Fixing point dimensions are for guidance only/the positions of wall fixing must be checked when product is received.

FAQs

Q - Are there any other compatible seats?

A - No

Q - Which concealed cistern do I use?

A - Torrent (TR9001) or Cascade (TR9002), depending on whether the water feed is bottom or side access.

Key Dimensions Descriptions	Key Dimensions (mm)
Front to Back Footprint	340mm
Left to Right Footprint	230mm
Bowl Front to Back	330mm
Bowl Left to Right	280mm
Pan Height	460mm
Pan Overall front to Back	505mm
Centre Flush Inlet to Floor	Input Dimension
Centre Waste Outlet to Floor	Input Dimension
Width of Void	Input Dimension
Is there a Ceramic Brace Bar	No

TECHNICAL DATA SHEET

Aerial Wall Hung WC Pan 495mm - WH650S

TAVISTOCK

NO.	Description	Product Code	Fixings included	Gross Weight	Net Weight
1	Aerial Wall Hung WC Pan 495mm	WH650S	YES	Weight (kg)	Weight (kg)
2	Aerial Soft Close Toilet Seat	TS650S	YES	2.8kg	2.5kg



Spares Codes

Wall Hung Pan Fixings - SP18524

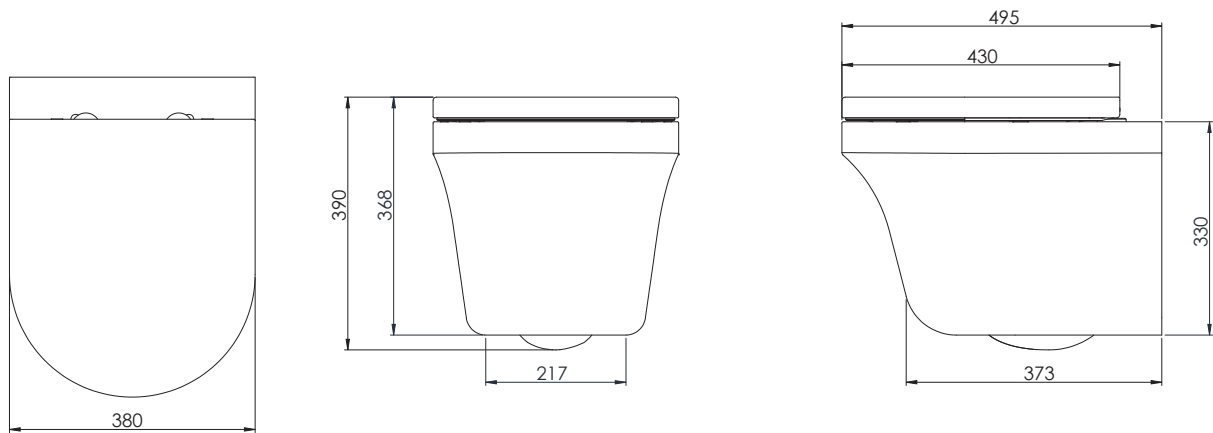
Seat Fixing Pack - SP18148

Seat Fixing Bolts 75mm/Butterfly Clip x2 - SP18153

Seat Buffer Set - SP17583

DIMENSIONS - PRODUCT CODE

DIAGRAMS NOT TO SCALE | ALL DIMENSIONS IN MM | TOLERANCE OF ± 5MM



*Dimensions are subject to change, customers are advised to measure actual product before commencing installation.

**Fixing point dimensions are for guidance only/the positions of wall fixing must be checked when product is received.

FAQs

Q - Do I need to use a wall hung frame?

A - Yes. It is essential that this product is installed onto a frame

Q - Does the pan use Concealed fixings?

A - No, use the standard bolts, nuts and caps that are supplied with any wall hung frame.

Key Dimensions Descriptions	Key Dimensions (mm)
Front to Back Footprint	340mm
Left to Right Footprint	230mm
Bowl Front to Back	330mm
Bowl Left to Right	280mm
Pan Height	330mm
Pan Overall front to Back	495mm
Width of Void	Input Dimension
Is there a Ceramic Brace Bar	No

TECHNICAL DATA SHEET

Aerial SCT Slim Depth Basin - DC14003

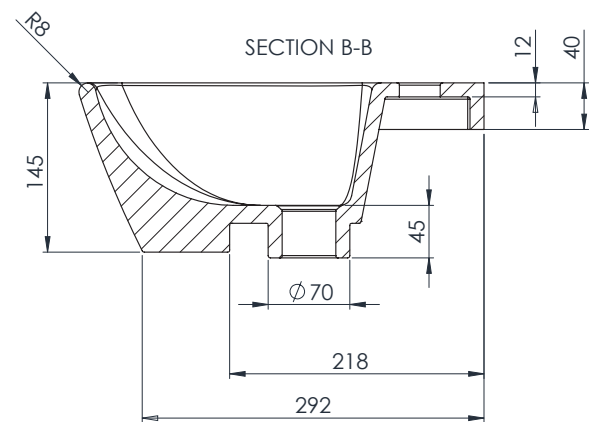
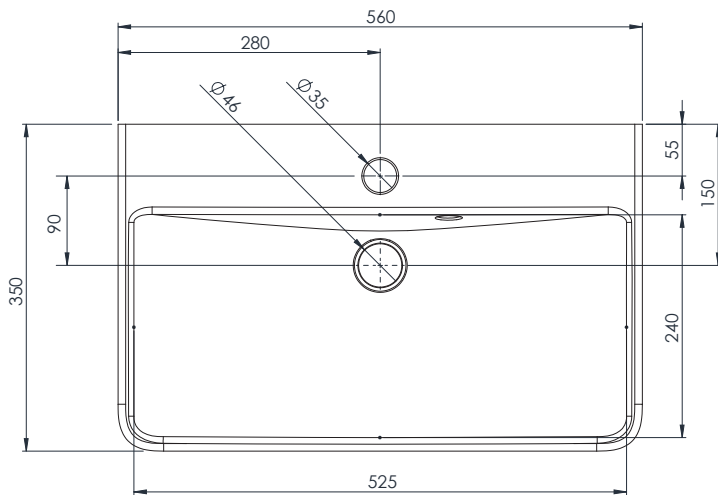
TAVISTOCK

NO.	Description	Product Code	Fixings Included	Gross Weight	Net Weight
1	SCT Slim Depth Basin	DC14003	N/A	15.6KG	N/A



DIMENSIONS - PRODUCT CODE

DIAGRAMS NOT TO SCALE | ALL DIMENSIONS IN MM | TOLERANCE OF ± 5MM



*Dimensions are subject to change, customers are advised to measure actual product before commencing installation.

**Fixing point dimensions are for guidance only/the positions of wall fixing must be checked when product is received.

FAQs

Q - Is a fitting template supplied?

A - Yes

Q - How is the basin fixed to the furniture?

A - Fix to workspace with silicone as per instructions supplied.

Key Dimensions Descriptions	Key Dimensions (mm)
Internal Depth	110mm
Internal Front to Back	240mm
Internal Left to Right	525mm
Tapledge	100mm
Taphole Centre to Waste Centre	90mm
Taphole Centre to Back of Basin	55mm
Waste Centre to Back of Basin	150mm
Height of Basin	145mm
Basin Belly	N/A

TECHNICAL DATA SHEET

Aerial SCT STD Depth Basin - DC14002

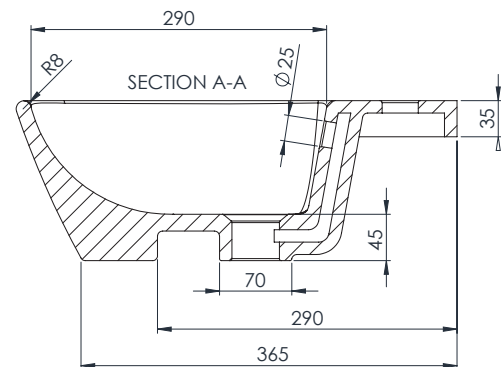
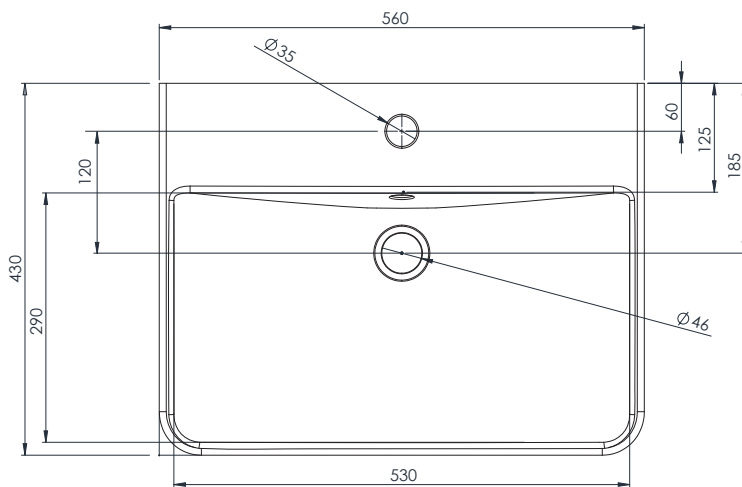
TAVISTOCK

NO.	Description	Product Code	Fixings Included	Gross Weight	Net Weight
1	SCT STD Depth Basin	DC14002	N/A	17.25KG	N/A



DIMENSIONS - PRODUCT CODE

DIAGRAMS NOT TO SCALE | ALL DIMENSIONS IN MM | TOLERANCE OF ± 5MM



*Dimensions are subject to change, customers are advised to measure actual product before commencing installation.

**Fixing point dimensions are for guidance only/the positions of wall fixing must be checked when product is received.

FAQs

Q - Is a fitting template supplied?

A - Yes

Q - How is the basin fixed to the furniture?

A - Fix to workspace with silicone as per instructions supplied.

Key Dimensions Descriptions	Key Dimensions (mm)
Internal Depth	115mm
Internal Front to Back	290mm
Internal Left to Right	530mm
Tapledge	125mm
Taphole Centre to Waste Centre	120mm
Taphole Centre to Back of Basin	60mm
Waste Centre to Back of Basin	185mm
Height of Rear Basin	130mm
Basin Belly	N/A

TECHNICAL DATA SHEET

Aerial Soft Close Toilet Seat - TS650S

TAVISTOCK

NO.	Description	Product Code	Fixings Included	Gross Weight	Net Weight
1	Aerial Soft Close Toilet Seat	TS650S	YES	2.8KG	2.5KG



Spares Codes

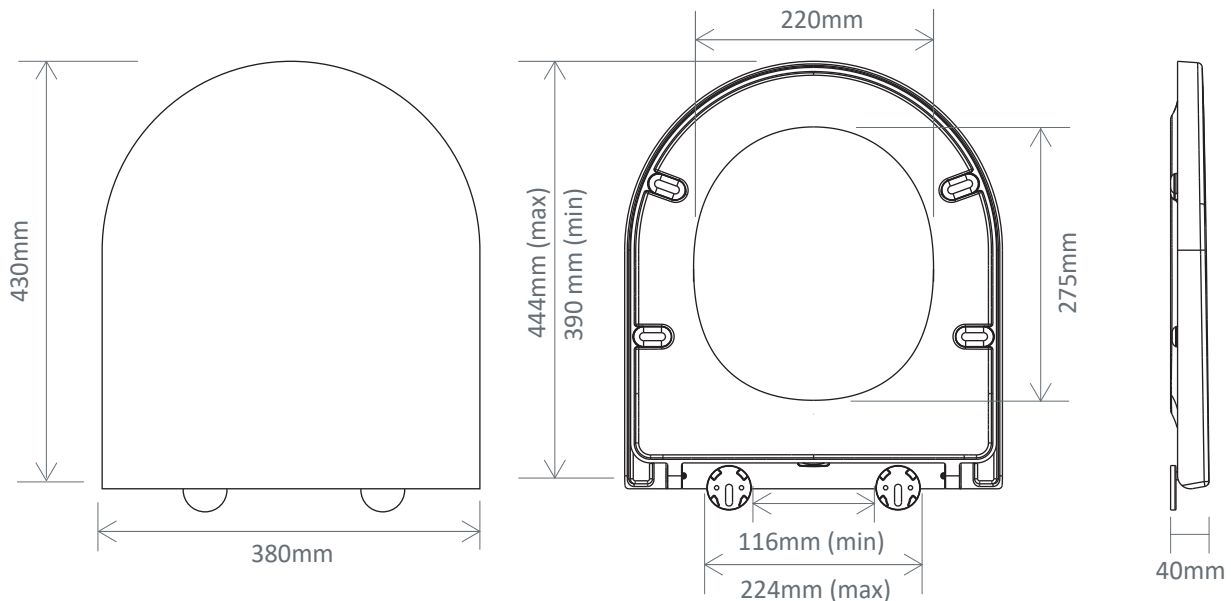
Seat Fixing Pack - SP18148

Seat Fixing Bolts 75mm/Butterfly Clip x2 - SP18153

Seat Buffer Set - SP17583

DIMENSIONS - PRODUCT CODE

DIAGRAMS NOT TO SCALE | ALL DIMENSIONS IN MM | TOLERANCE OF ± 5MM



*Dimensions are subject to change, customers are advised to measure actual product before commencing installation.

**Fixing point dimensions are for guidance only/the positions of wall fixing must be checked when product is received.

FAQs

Q - What is the maximum test load of the seat?

A - 150kg

Q - What are the fixings made from?

A - Reinforced nylon base plates with stainless steel cover caps.

Key Dimensions Descriptions	Key Dimensions (mm)
Seat/Lid Front to Back	430mm
Seat/Lid Left to Right	380mm
Ring Hole Front to Back	275mm
Ring Hole Left to Right	220mm
Seat Overall Thickness	40mm
Width of Back of Seat	380mm
Min/Max Adjustment for Fixings	116/224, 390/444