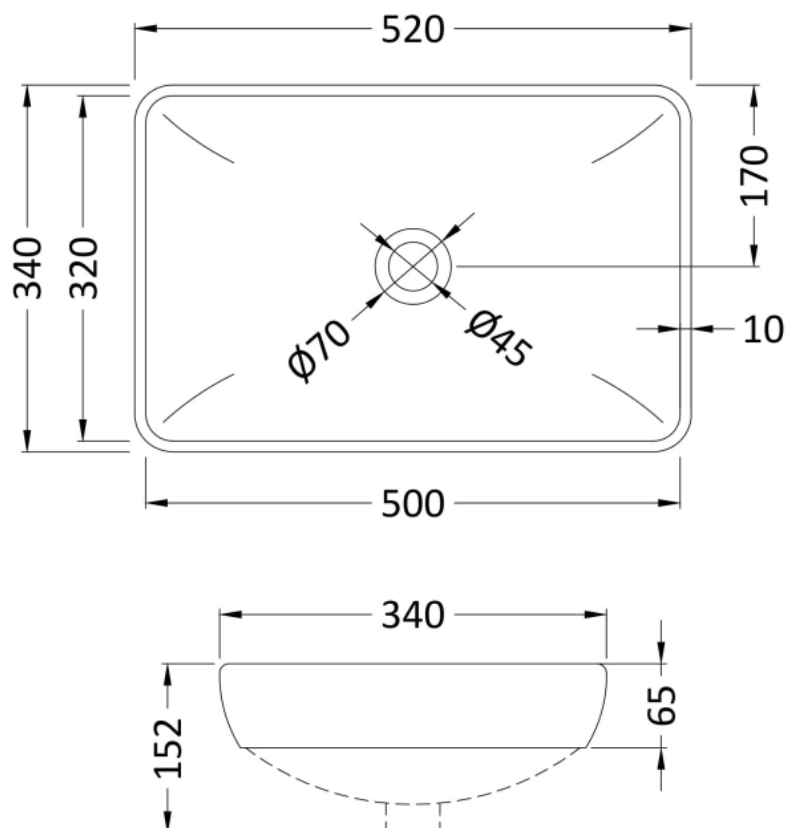


## Technical Data Information

**Product Code:** UNBV181

**Information:** Rectangular Vessel  
**Weight:** 6.5Kg  
**Overflow:** No  
**Tap holes:** No

**Overall Dimensions:** H: 152 X W: 520 X D: 340



All Dimensions are in millimetres. The information contained on this page was correct at date of issue. Fitting dimensions are provided as a guide only. Some variation may occur due to manufacturing tolerances. We pursue a policy of continuing improvement in design and performance of our products and so reserve the right to change specifications without prior notice.