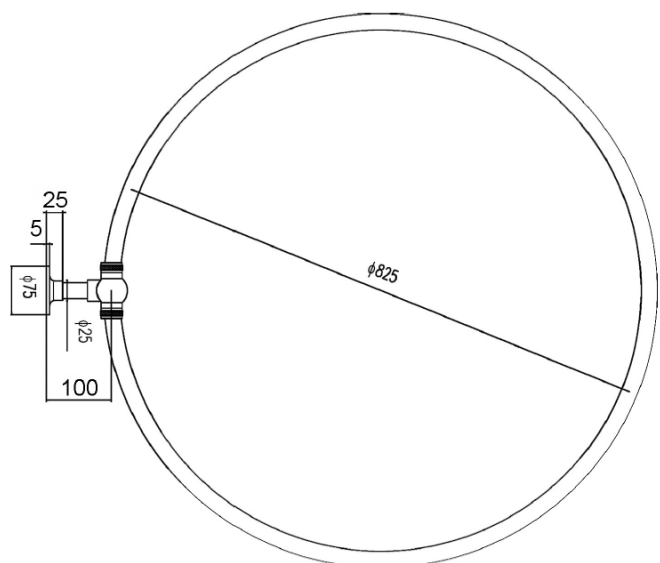


## Technical Data Information

**Product Code:** ULA386

**Information:** Carlton 800mm Diameter Round Shower Ring

**Overall Dimensions:** H: 75 x D: 800 x W: 800



All Dimensions are in millimetres. The information contained on this page was correct at date of issue. Fitting dimensions are provided as a guide only. Some variation may occur due to manufacturing tolerances. We pursue a policy of continuing improvement in design and performance of our products and so reserve the right to change specifications without prior notice.