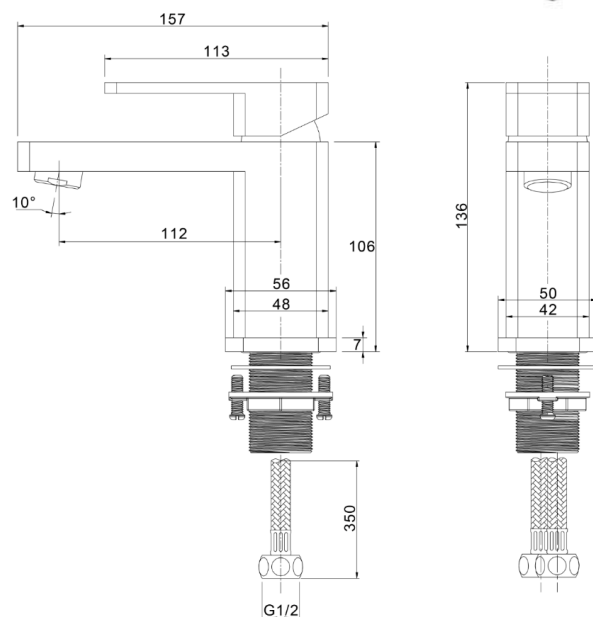


Technical Data Information

Product Code:	TR07
Information:	Aurora Mini Basin Mixer
Construction	Brass Body CuZn40Pb2, EN CW617N (equivalent to BS CZ122)
Finishes	Chrome plated to BS EN 248
Product Type	Contemporary
Water Pressure	Min. 0.2 bar, Max. 6.0 bar
Plumbing Systems	Suitable for all plumbing systems
Standards	Complies with BS5412, BS EN200
Certification	Manufactured to comply with WRAS
Cartridge	Triduon
Aerator	Neoperl Adjustable Slim air
Fitting	UK: M10 x 350mm 1/2" BSP Female Flexi Tails EU: M10x350mm 3/8" BSP Female Flexi Tails.
Packaging	54 x 36 x 19cm / carton (8 boxes / carton)
Guarantee	10 years against manufacturing faults (excluding serviceable parts).
Additional Information	1.Supplied with G 1 1/4" sprung waste(UK only)

Overall Dimensions: H: 136 x D: 157 x W: 56



All Dimensions are in millimetres. The information contained on this page was correct at date of issue. Fitting dimensions are provided as a guide only. Some variation may occur due to manufacturing tolerances. We pursue a policy of continuing improvement in design and performance of our products and so reserve the right to change specifications without prior notice.