

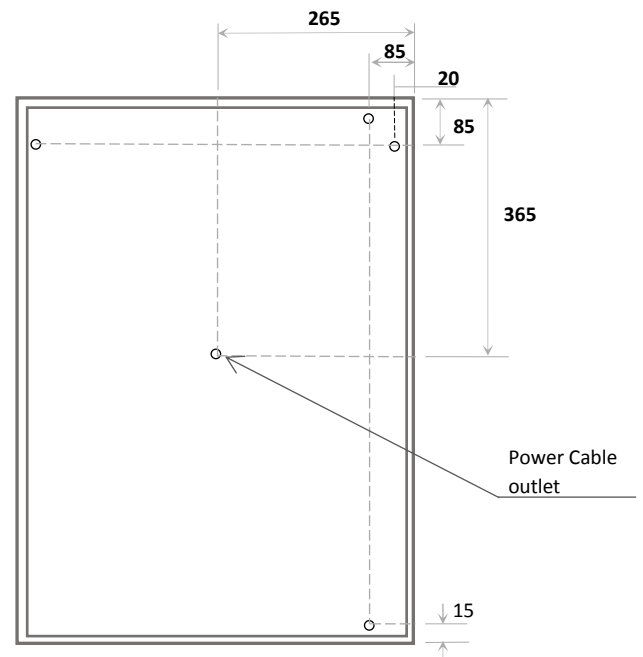
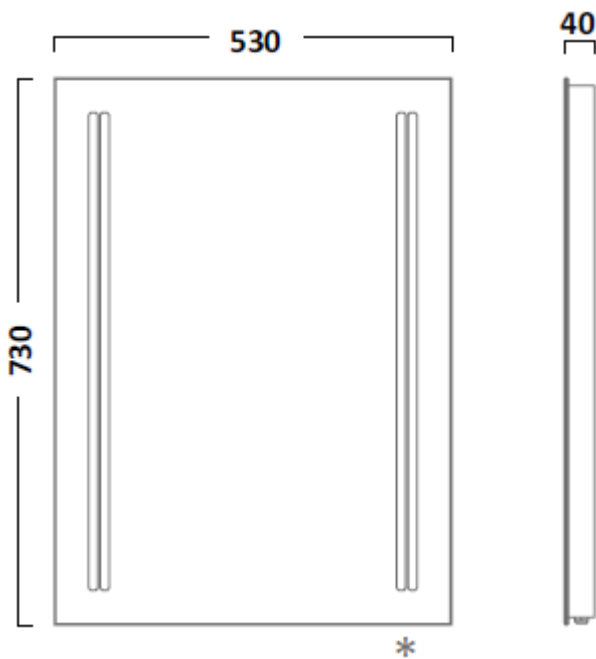


**TAVISTOCK DIFFUSE ILLUMINATED MIRROR**

Product Code	SLE520
Type	Mirror
Range	Diffuse
Finish	-

**Compliance:**

This product complies with all relevant British and European safety standards: - EN 55015:2001; BS EN 60598-1: 2004, AMD:2001, AMD:2003; BS EN 60598-2-1: 1989. EN 60529: 1992 & A1, A2, A3.



All Dimensions in mm  
Drawings not to scale

# Installation and aftercare instructions:

## Before you start

It is recommended that the mirror is secured to a suitably reinforced wall to ensure stability. Wall plugs are only suitable for solid stone/ brick walls. For plasterboard walls use specialist wall plugs (not supplied).

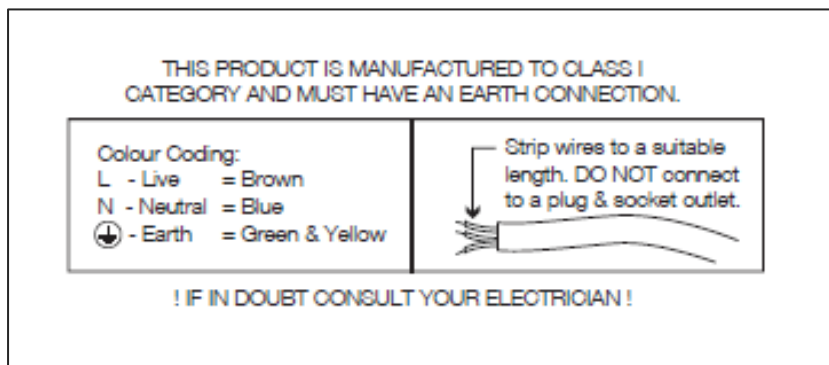
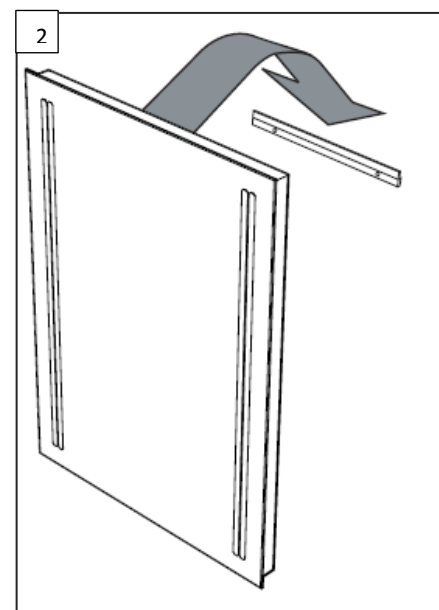
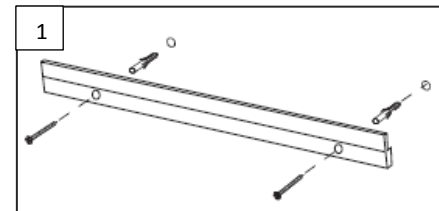
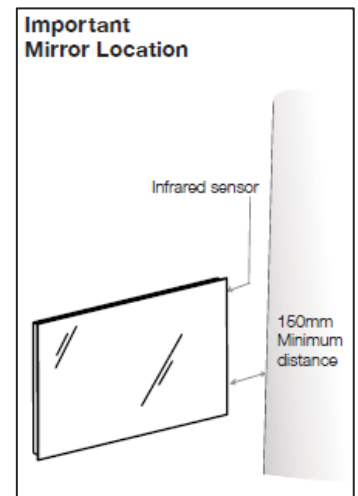
Wear suitable eye protection when drilling. Take care when using power tools near water - the use of a residual current device (RCD) is recommended. Beware of hidden pipes or cables. Take care when drilling tiled surfaces as the drill might slip. Use a piece of masking tape to prevent the drill from wandering.

## Installation Procedure

Before installation. Decide on a desired location for your mirror. This mirror can be mounted in a portrait or landscape orientation. If mounting Landscape the mirror must be mounted a minimum of 150mm from an adjacent wall or obstruction to ensure correct function of IR sensor.

1) Mount the mirror fixing bracket to the wall using the fixing kit supplied. Supplied wall plugs are only suitable for solid stone/ brick walls. For plasterboard walls use specialist wall plugs (not supplied). The holes for the fixing bracket should be 50mm below the desired height of the top of the mirror. Ensure this plate is level using a spirit level before mounting your mirror. To ensure the mirror is securely mounted, add a bead of silicone to the bottom edge where the mirror meets the wall.

2) The next step is to make the electrical connection from the mirror to the mains supply. Use the connection wire found at the rear of the mirror to make the necessary connections in accordance with the current IEE regulations. A second person will need to hold the mirror in place whilst electrical connections are made.



## Operating Instructions

Lighting is turned on / off using the infra-red switch on the bottom edge of the mirror. To operate, wave your hand underneath the sensor. The heated pad is on when the light is on. DO NOT leave on for prolonged periods of time.

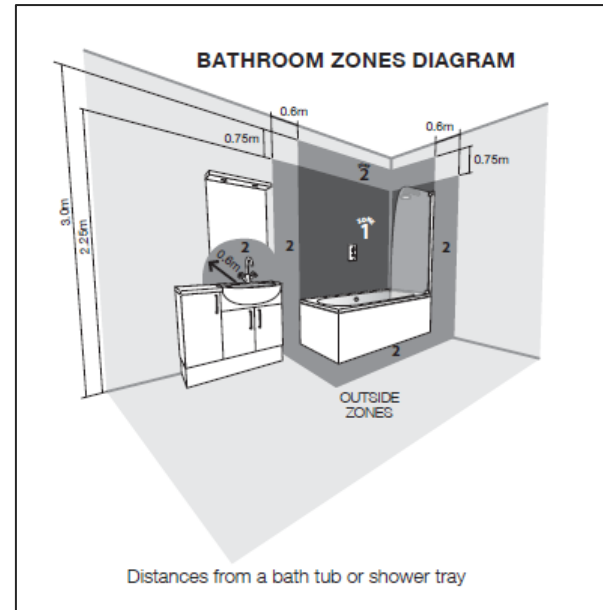
## Electrical Safety Instructions (Applicable to UK Installations only)

All fittings must be installed by a competent person, in accordance with current IEE wiring regulations. If in doubt consult a qualified electrician.

## Important

Always switch off the electrical supply at the mains during installation and maintenance. It is recommended that the fuse is withdrawn or the circuit breaker is switched off for the necessary circuit before installation commences.

Fitting in Bathrooms is subject to the appropriate zone in accordance with IEE Regulations. This product is suitable for zone 2 and outside zones. IT IS NOT suitable for installation in Zone 0 or Zone 1. It is also not suitable for installation in saunas, steam rooms or shower cubicles. This product is only suitable for permanent installation. DO NOT connect to a trailing plug and socket outlet. Although this product has an Ingress Protection rating of IP44 it is only suitable for indoor use. Do not attach the product to surfaces that are damp or otherwise electrically conductive.



## Wiring

This product is manufactured to class I category and must have an earth connection

## Installation safety and care

DO NOT strike glass components with hard or pointed items. DO NOT place very hot or very cold items against or in close proximity to glass surfaces unless an adequately thick insulation material is used to prevent such items coming in contact with the glass. The nominal thickness of the mirror glass used in this product is 5mm and is film backed for safety. If the glass becomes chipped or broken replace immediately. This product should be positioned well away from curtains and other fabrics. Never cover the mirror. This product is heated, we recommend that it is turned off after use and should never be left on for prolonged periods of time. This product could be dangerous and is only to be installed by a competent person.

## Cleaning

It is recommended that the unit is cleaned with a soft, dry, non-abrasive cloth when turned off. Never use cleaning agents or abrasive materials on any type of surface finish. Do not allow moisture to come into contact with the electrical components.

## Colour Coding:

L - Live = Brown

N - Neutral = Blue

≡ - Earth = Green & Yellow

## Lights

1 x 12v DC LED Light Strip

To obtain replacement led strips if faulty or broken contact suppliers' customer services

## Customer Care:

For further information please call, +353 (0) 1 450 4307