

# Technical Data Sheet

Structure  
Open Back Close Coupled Pan

# TAVISTOCK

No.	Description	Product Code	Fixings Included?	Gross Weight	Net Weight
1	Structure Cistern inc. Flush Fitting & Lid	C450S	Yes	--	--
2	Structure Toilet Seat	TS450S	Yes	--	--
3	Structure Open Back Close Coupled Pan	P450S	Yes	--	--



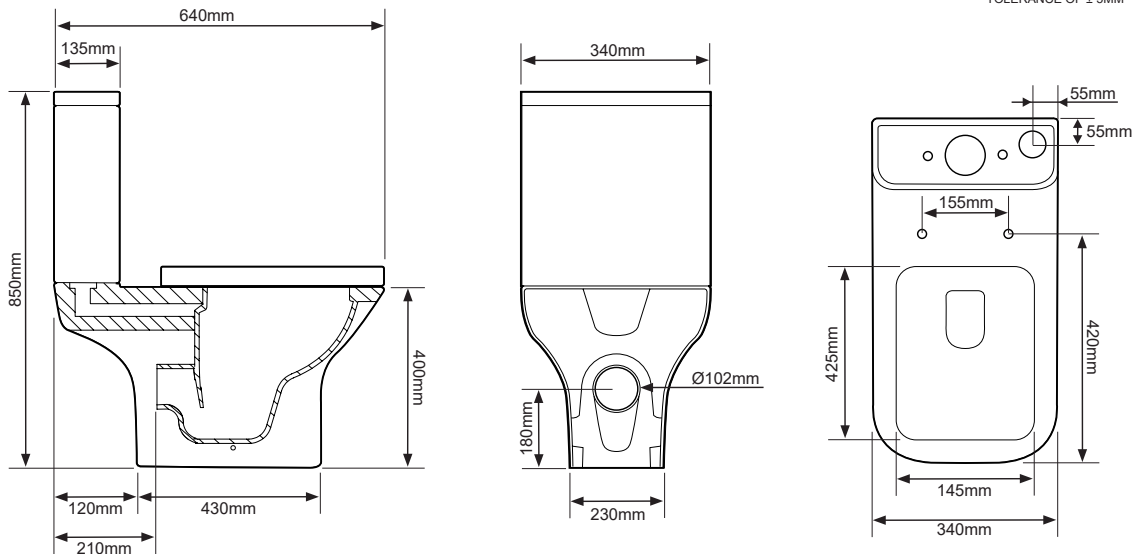
## Cistern Settings

Full Flush Volume: 4.5L  
Reduced Flush Volume: 3L



All connections to meet BSEN33 Requirements

DIAGRAMS NOT TO SCALE  
ALL DIMENSIONS IN MM  
TOLERANCE OF ± 5MM



## FAQ

What side is the inlet located? **Right hand side**

Are there any other compatible seats? **No**

Can this pan be used with a side connection outlet pipe? **Yes**

The cistern lid won't shut/the cistern isn't working correctly.

**Ensure the inlet and flush valves are set to the correct heights.**

Water runs into pan when flush finished.

**Check valve has no debris underneath.**

**Does the valve open again? (If not the flush bar is draining; if it does, check flush valve is set correctly)**

**Has flush volume been adjusted?**

TS450S Dimensions	
Seat/Lid front to back	435mm/445mm
Seat/Lid left to right	330mm/345mm
Ring hole front to back	285mm
Ring hole left to right	210mm
Seat overall thickness	47mm
Min/Max adjustment for fixings	55mm-160mm