

# Technical Data Sheet

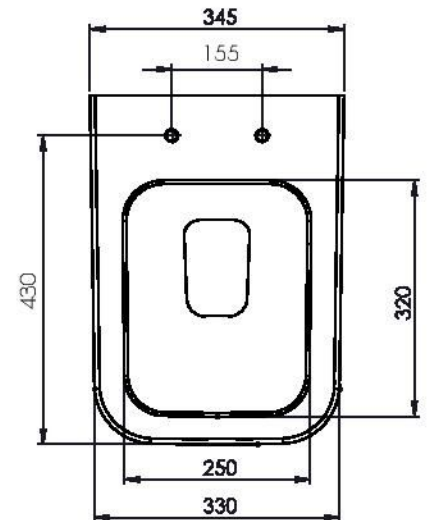
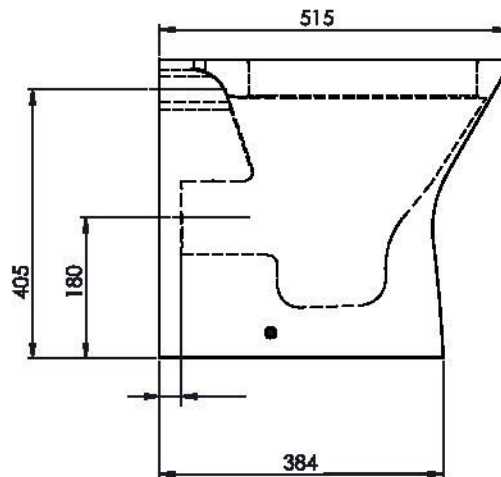
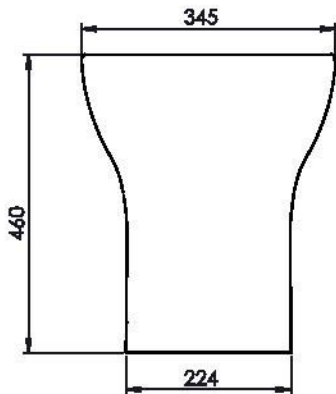
Structure  
Comfort Back to Wall Pan

# TAVISTOCK

No.	Description	Product Code	Fixings Included?	Gross Weight	Net Weight
1	Structure Toilet Seat	TS450S	Yes	--	--
2	Structure Comfort Back to Wall Pan	BTWC450S	Yes	--	--



All connections to meet BSEN33 Requirements



DIAGRAMS NOT TO SCALE  
ALL DIMENSIONS IN MM  
TOLERANCE OF ± 5MM

## FAQ

Are there any other compatible seats? No

Water runs into pan when flush finished.

Check valve has no debris underneath.

Does the valve open again? (If not the flush bar is draining; if it does, check flush valve is set correctly)

Has flush volume been adjusted?

TS450S Dimensions	
Seat/Lid front to back	435mm/445mm
Seat/Lid left to right	330mm/345mm
Ring hole front to back	285mm
Ring hole left to right	210mm
Seat overall thickness	47mm
Min/Max adjustment for fixings	55mm-160mm