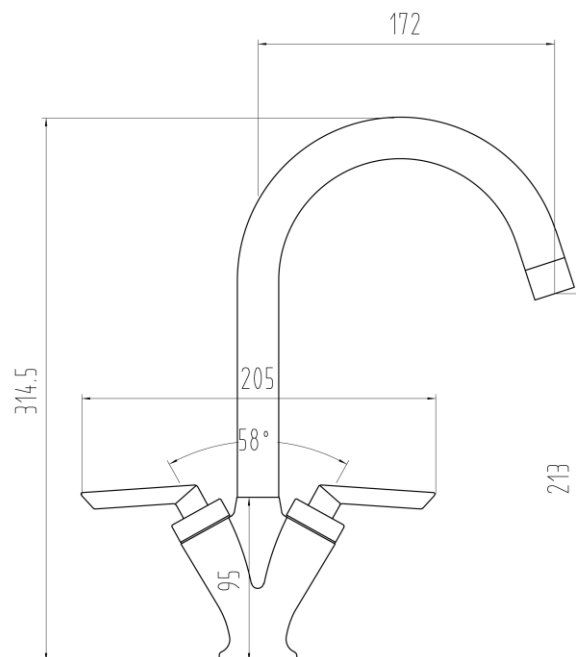


Technical Data Information

Product Code: RKIT11

Information: Olicana
SF083 Sink Mixer
Pressure System: Single Flow
Head: Ceramic Disc Valve
Inlet: 1/2" Flexi Hoses
Outlet: Aerator - Air Aerator
Min/Max Operating Pressure: 0.5 - 5 BAR

Overall Dimensions: H: 314.5 D: 172 x W: 205



All Dimensions are in millimetres. The information contained on this page was correct at date of issue. Fitting dimensions are provided as a guide only. Some variation may occur due to manufacturing tolerances. We pursue a policy of continuing improvement in design and performance of our products and so reserve the right to change specifications without prior notice.