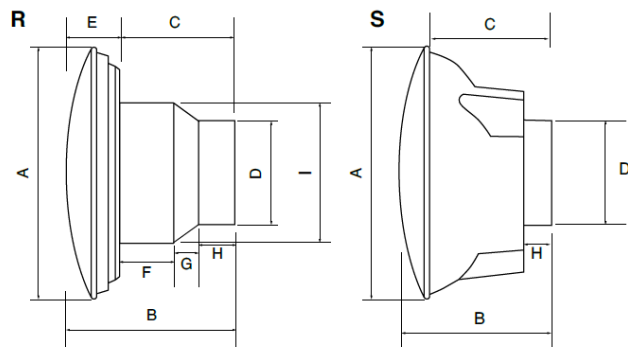
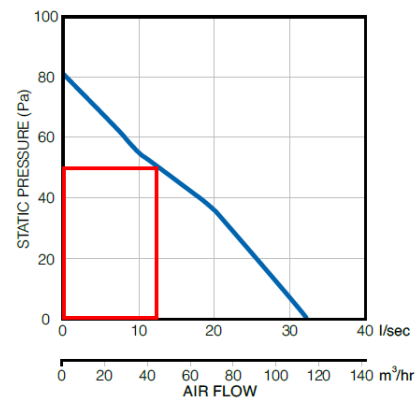


Technical Data Information

Product Code: FANIC30

Information: iCon 30
 Mixed flow fan
 Flow rate up to 118 m³/hr
 Perfect for long duct runs
 Unique iris shutter, prevents backdraughts, operates silently
 IPX4 rating
 Complies with Building Regulations
 3-year warranty



R = Recessed without skirt

S = Surface mounted with skirt

Model	A	B	C	D	E	F	G	H	I
iCON 30 (R)	225	144	101	97	43	51	20	30	148
iCON 30 (S)	225	144	92	97	-	-	-	29	-

All Dimensions are in millimetres. The information contained on this page was correct at date of issue. Fitting dimensions are provided as a guide only. Some variation may occur due to manufacturing tolerances. We pursue a policy of continuing improvement in design and performance of our products and so reserve the right to change specifications without prior notice.