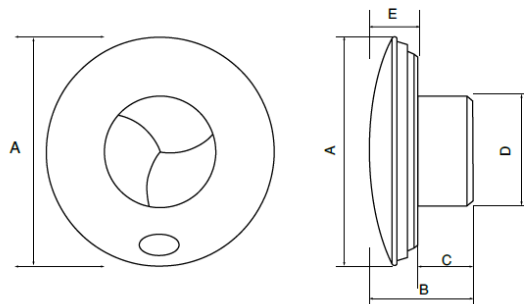
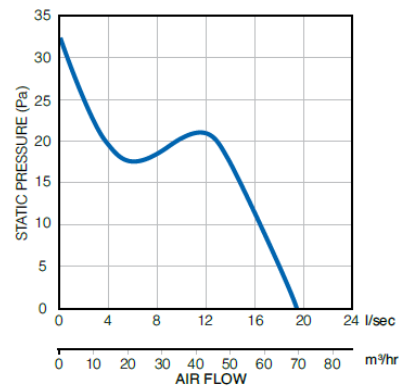


Technical Data Information

Product Code: FANIC15

Information: iCon 15
 Axial fan
 Flow rate up to 68 m³/hr
 Low SFP 0.49 W/l/s
 Unique iris shutter, prevents backdraughts, operates silently
 IPX4 rating
 Complies with Building Regulations
 3-year warranty

Overall Dimensions: H: 197 D: 92.5 x W: 197



Model	A	B	C	D	E
iCON 15	197	92.5	52.5	100	40

All Dimensions are in millimetres. The information contained on this page was correct at date of issue. Fitting dimensions are provided as a guide only. Some variation may occur due to manufacturing tolerances. We pursue a policy of continuing improvement in design and performance of our products and so reserve the right to change specifications without prior notice.