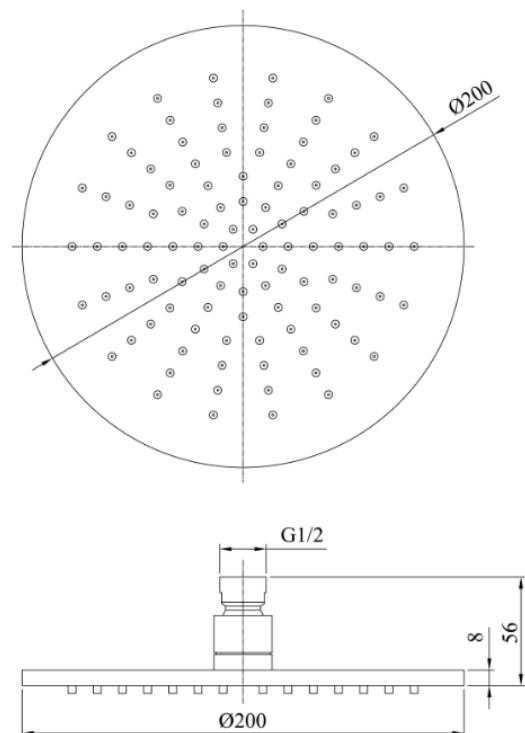


Technical Data Information

Product Code:	ASCHP31
Information:	Standard Shower Head
Construction	Brass Body (CuZn38Pb18)
Finishes	Chrome plated to BS EN 248
Product Type	Contemporary
Water Pressure	Min 0.5bar and Max 7.0bar
Plumbing Systems	Suitable for all plumbing systems
Certification	Manufactured to comply with WRAS
Fitting	G1/2"
Packaging	45x24x40cm/carton(10pcs), Box size: 23x22x8cm, Weight: 1.0kg
Guarantee	1 year against manufacturing faults (excluding serviceable parts).
Additional Information	<ol style="list-style-type: none">1. Rub-clean rubber nozzle2. 100% Chromed3. Swivel connector



All Dimensions are in millimetres. The information contained on this page was correct at date of issue. Fitting dimensions are provided as a guide only. Some variation may occur due to manufacturing tolerances. We pursue a policy of continuing improvement in design and performance of our products and so reserve the right to change specifications without prior notice.