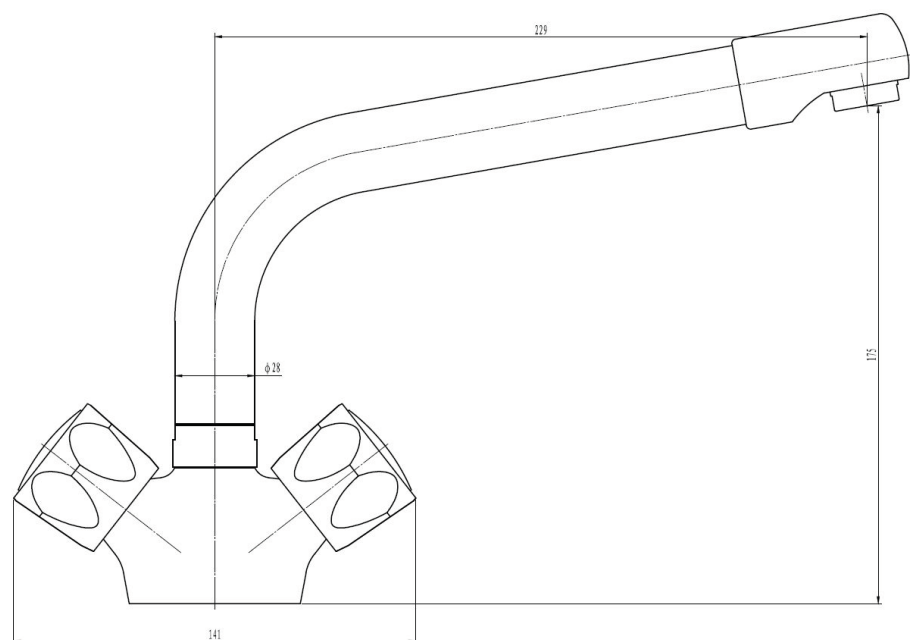


Technical Data Information

Product Code: 580011

Information: Contract Dual Flow Mono Bloc Sink Mixer
Pressure System: Dual Flow
Head: Ceramic Disc Valve
Inlet: 1/2" Flexi Hoses
Outlet: Aerator
Min/Max Operating Pressure: 0.2 - 5 BAR

Overall Dimensions: H: 145 L: 229 x W: 141



All Dimensions are in millimetres. The information contained on this page was correct at date of issue. Fitting dimensions are provided as a guide only. Some variation may occur due to manufacturing tolerances. We pursue a policy of continuing improvement in design and performance of our products and so reserve the right to change specifications without prior notice.