

## TECHNICAL DATASHEET

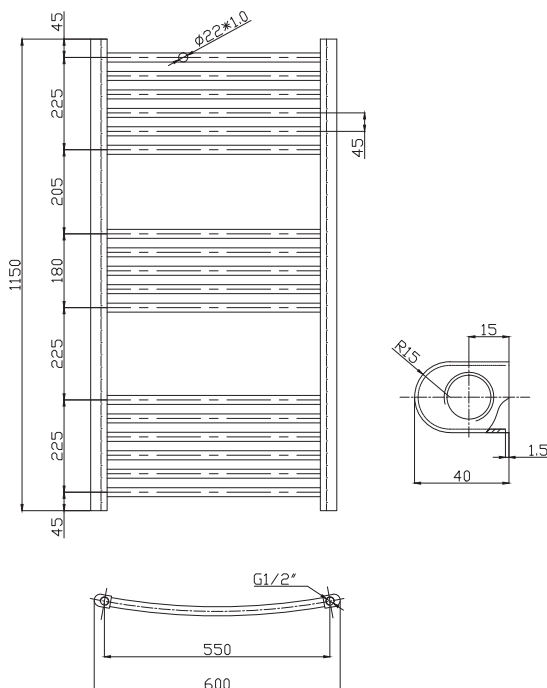
### 22MM STANDARD LADDER RAIL

<b>Product Code</b>	SS22LR611C	<b>Barcode</b>	5391527866701
<b>Finish</b>	CHROME		
<b>Product Type</b>	TOWEL RAIL		
<b>Btu/hr output</b>	1661 at 60 C		

#### Guarantee & Aftercare

During installation extra care must be taken to avoid damaging the fittings. We provide a 10 year guarantee against faulty workmanship or materials (excluding serviceable parts), providing they have been installed, cared for and used in accordance with our instructions.

Watts	487
Pipe centres	550mm
Wall to pipe centres	80-100mm
Max height	1150mm
Max width	600mm



#### CUSTOMER CARE:

For further information please call +353(0)1 450 4307