

TECHNICAL DATASHEET

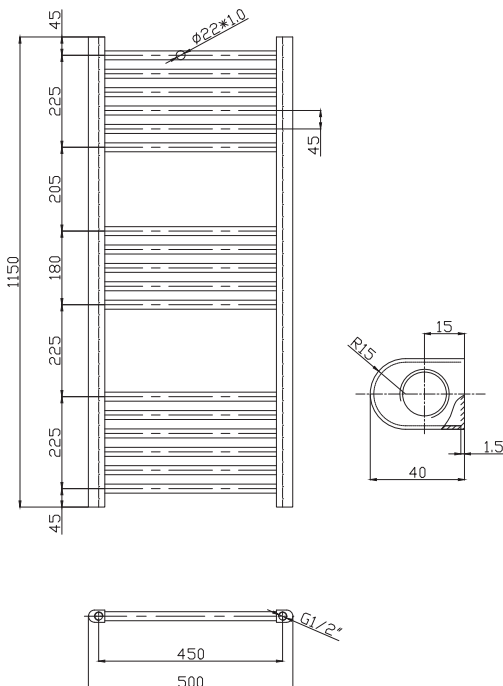
22MM STANDARD LADDER RAIL

Product Code	SS22LR511F	Barcode	5391527866695
Finish	CHROME		
Product Type	TOWEL RAIL		
Btu/hr output	1400 at 60 C		

Guarantee & Aftercare

During installation extra care must be taken to avoid damaging the fittings. We provide a 10 year guarantee against faulty workmanship or materials (excluding serviceable parts), providing they have been installed, cared for and used in accordance with our instructions.

Watts	410
Pipe centres	450mm
Wall to pipe centres	75-95mm
Max height	1150mm
Max width	500mm



CUSTOMER CARE:

For further information please call +353(0)1 450 4307